

Supplementary materials

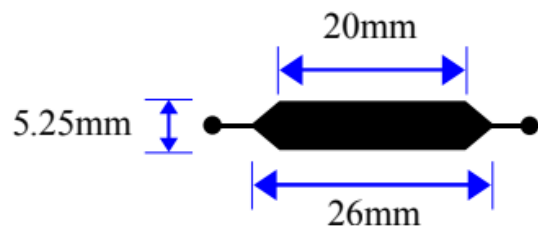


Figure S1. Dimensions of silicon mask.

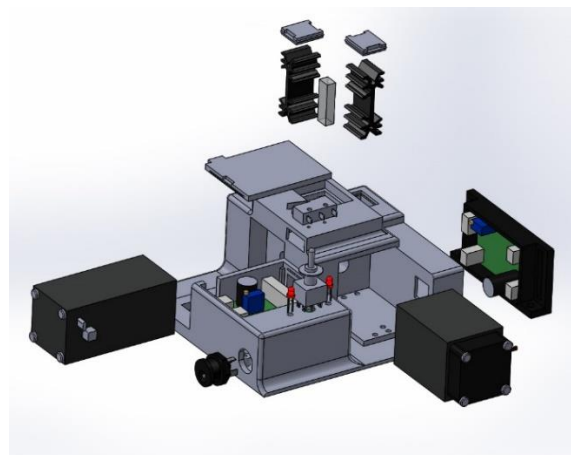


Figure S4. Photobleaching exploded view.

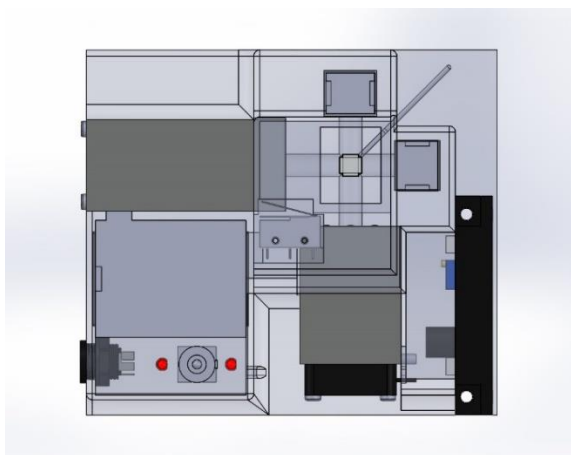


Figure S2. Photobleaching unit through top.

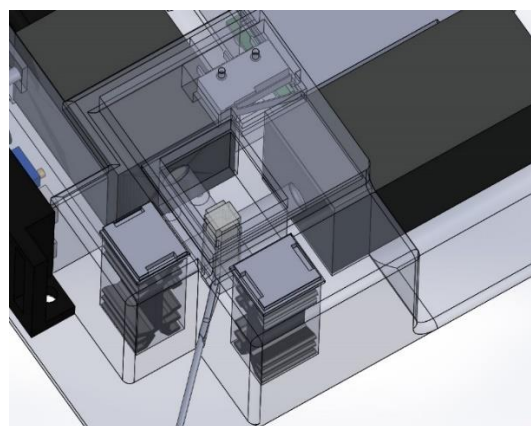


Figure S5. Photobleaching unit see through.

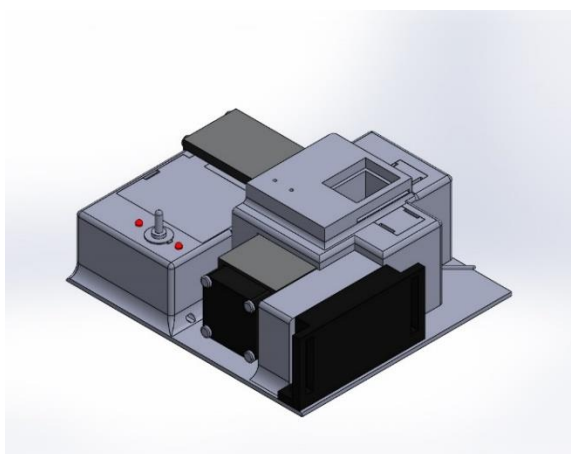


Figure S3. Photobleaching unit assembly.

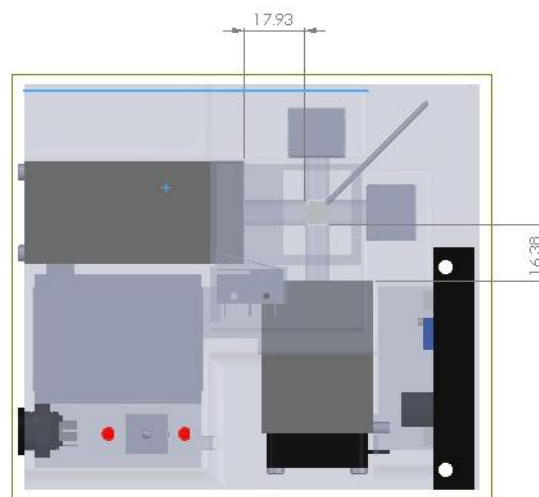


Figure S6. Lasers distance to sample in photobleaching unit.

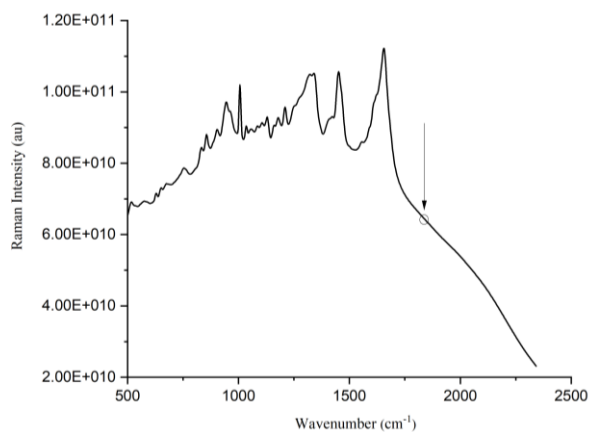


Figure S7. Raman spectrum of a $\sim 70 \text{ mg.ml}^{-1}$ BSA solution collected with the BioTools instrument. The sample was photobleached with 800 W (x 0.55 at sample position) for ~ 3 h prior to the measurement and accumulated over ~ 8.6 h.